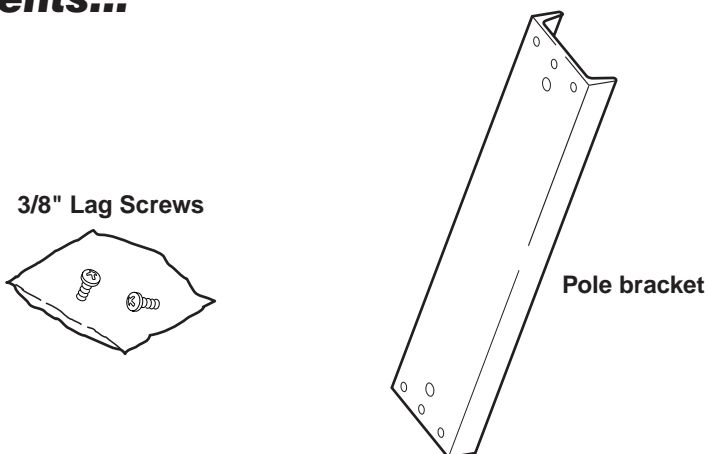


PG-Flex Remote Terminal Pole-Mount Kit for FRE-765

QUICK INSTALLATION GUIDE

The PairGain® PG-Flex™ Remote Terminal (RT) Pole mount kit is used to mount the PairGain FRE-765 to a pole.

Contents...



Item	Quantity
Pole bracket	1
3/8" Lag Screws	2

PairGain is a registered trademark, and PG-Flex is a trademark of PairGain Technologies, Inc.

PAIRGAIN TECHNOLOGIES, INC. PG-Flex SERIES POLE-MOUNT KIT

PairGain Part Number 150-1397-0X
Section Number 363-197-100-02, Revision 02
September 30, 1997

Corporate Office
14402 Franklin Avenue
Tustin, CA 92780

Tel: (714) 832-9922
Fax: (714) 832-9924

For Technical Assistance:
(800) 638-0031



Copyright © 1997 PairGain Technologies, Inc.

PAIRGAIN
THE COPPEROPTICS COMPANY

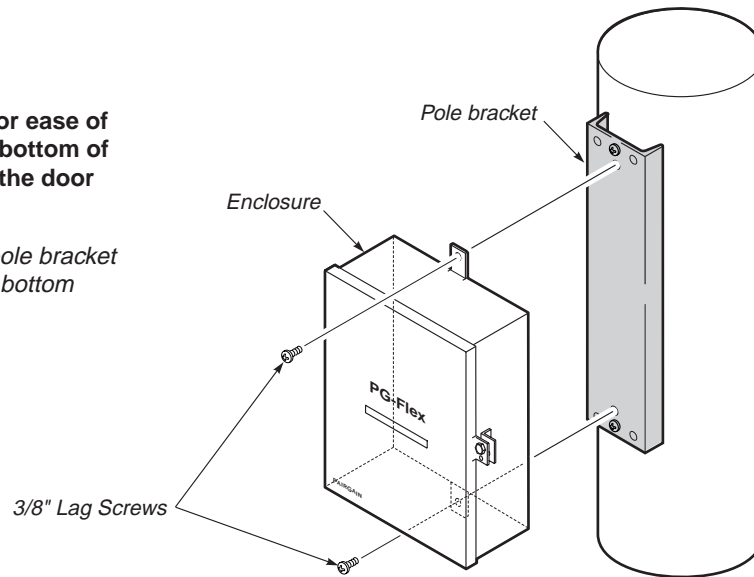
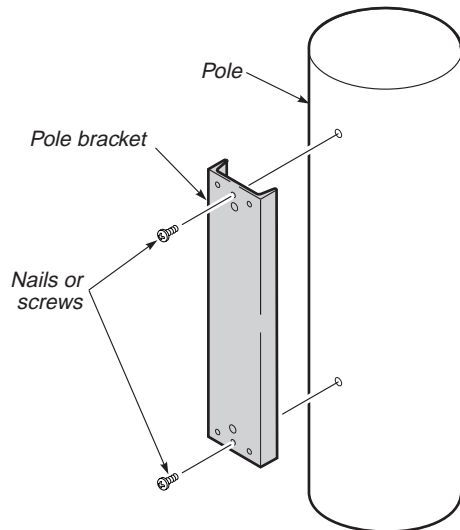
PG-Flex Remote Terminal Pole-Mount Kit

Installation...



Mount the Remote Terminal enclosure for ease of access to the cable entry points on the bottom of the enclosure. Provide ample room for the door to open fully.

- 1 Using nails or screws (not provided), mount the pole bracket to the pole. Use the small holes near the top and bottom edges of the bracket.



- 2 Align the flanges of the RT enclosure with the large top and bottom holes on the pole bracket.
- 3 Insert the 3/8" Lag screws (supplied in the kit) through the RT enclosure flanges and the pole bracket, then tighten securely.