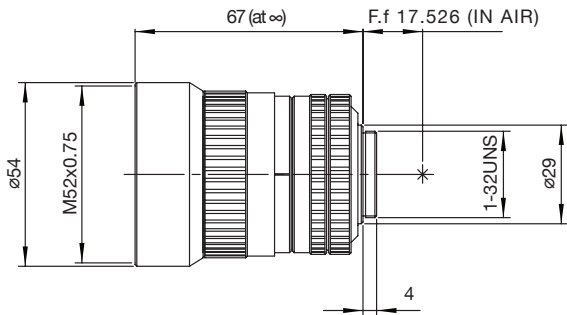


# Fujinon CF12.5A



<b>Focal Length</b>		12.5mm
<b>Aperture</b>		F1.4 - F22
<b>Iris Control</b>		Manual, Op. Angle 112°
<b>Focus Control</b>		Manual, Op. Angle 156°
<b>Angle of View</b>	<b>1"</b>	54°13' x 42°01'
	<b>2/3"</b>	38°47' x 29°35'
	<b>1/2"</b>	28°43' x 21°44'
<b>Focus range (from front lens surface)</b>		$\infty$ - 0.3m
<b>Closest Imaging Range</b>	<b>1"</b>	329mm x 247mm
	<b>2/3"</b>	226mm x 170mm
	<b>1/2"</b>	165mm x 124mm
<b>Back Focus (in air)</b>		14.67mm
<b>Exit Pupil Position (from image plane)</b>		-40mm
<b>Filter Thread</b>		M52 x 0.75mm
<b>Mount</b>		C Mount
<b>Weight</b>		240g